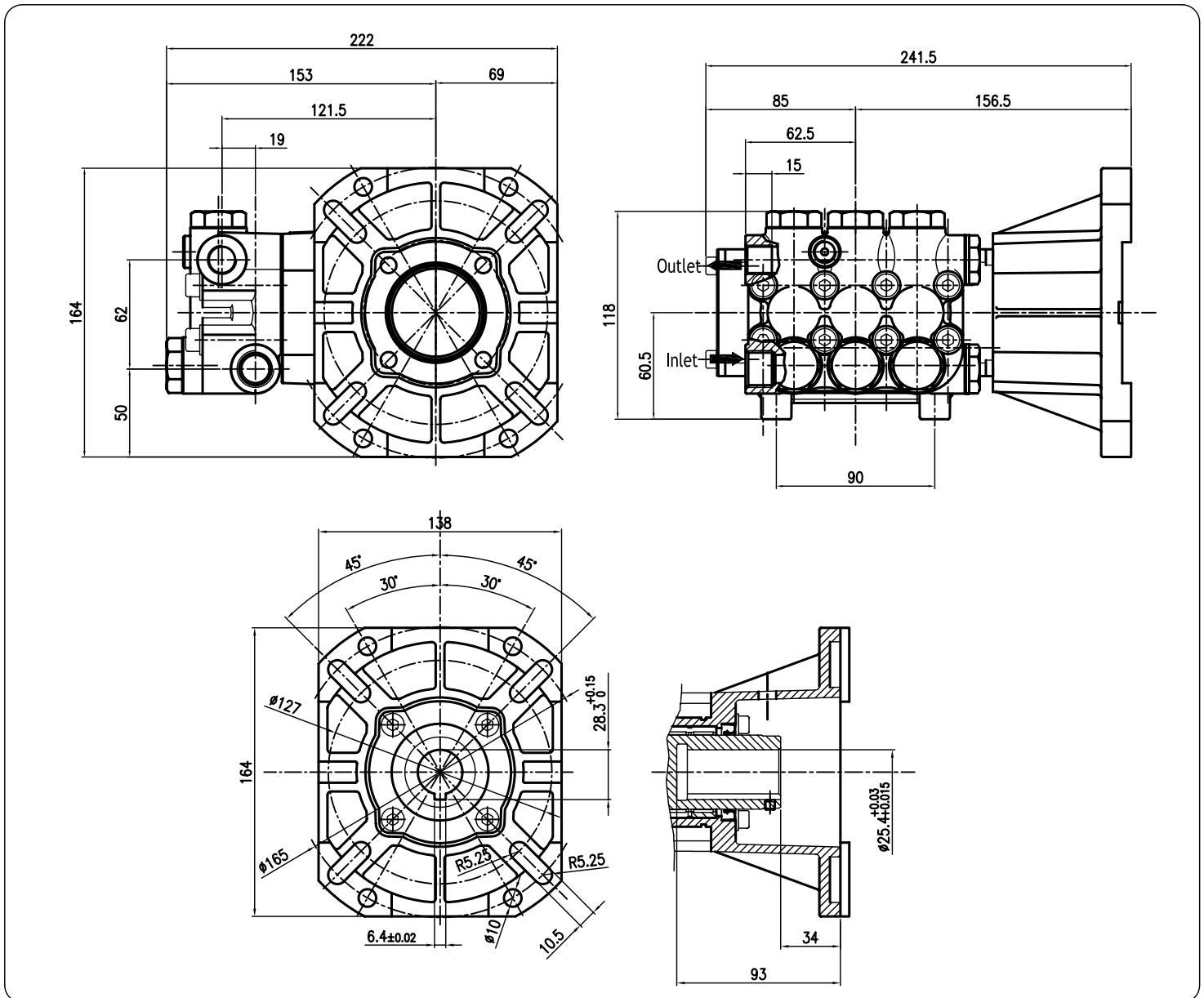


Caratteristiche Tecniche **PS315G1, PS325G1, PS345G1** *Technical Characteristics*

Pump Pompe Pumpen Pompa	Pressure Pression Druck Pressione		Volume Débit Leistung Portata		RPM tours/min u.p.m. giri/min	Required HP Puissance HP Leistung HP Potenza HP	Inlet port Entrée Eingang Aspirazione	Outlet Sortie Ausgang Mandata
	bar	PSI	l/min	GPM				
PS315G1	200	3000	11.4	3.0	3400	6.0	G 1/2	G 3/8
PS325G1	200	3000	13	3.5	3400	6.8	G 1/2	G 3/8
PS345G1	200	3000	14.5	3.8	3400	7.5	G 1/2	G 3/8

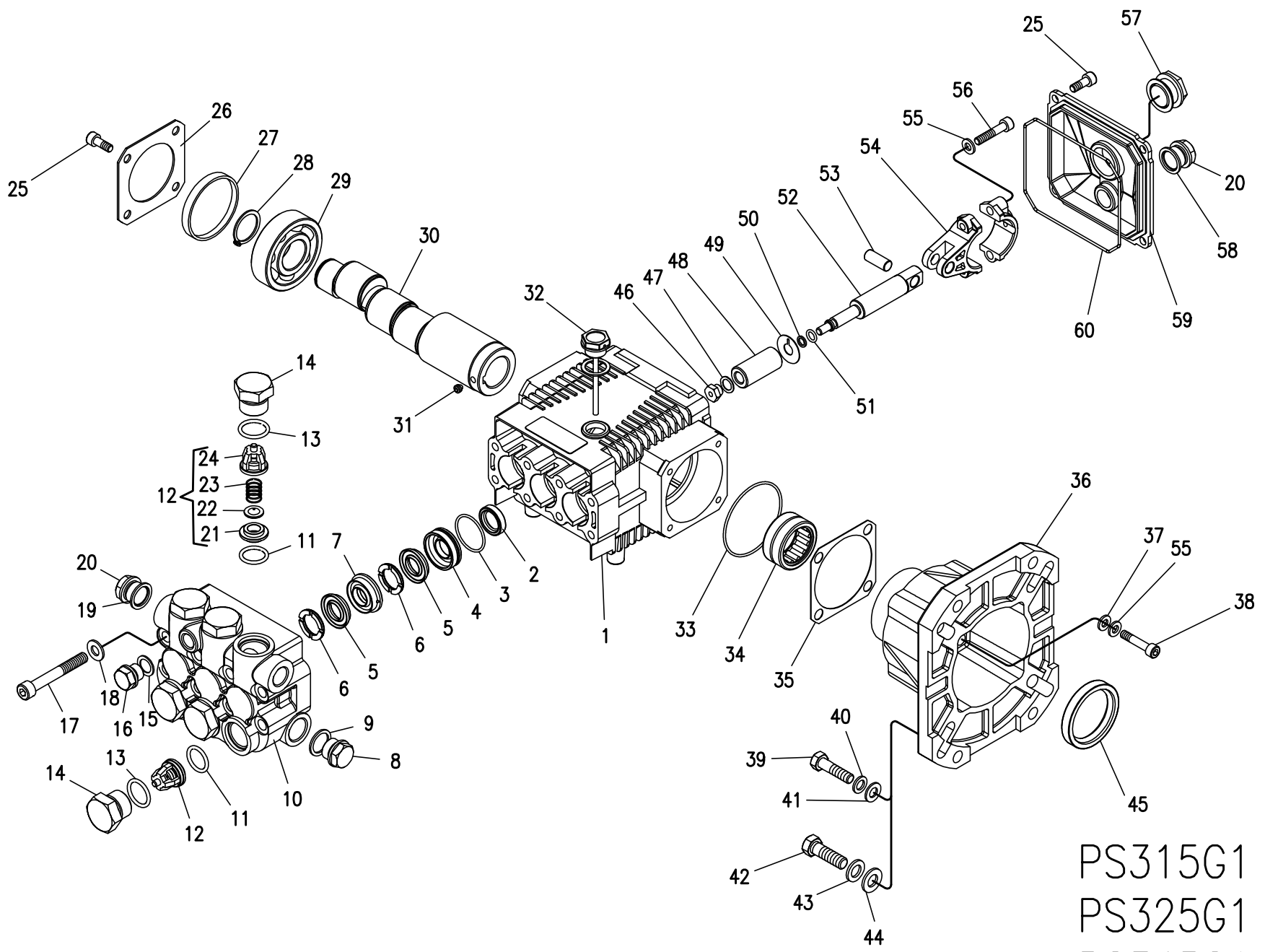
Dimensioni d'ingombro

Overall dimensions



Lubrificazione: Olio SAE 20/40W
Capacità 0.4 Litri

Lubrication: SAE 20/40W Oil
Capacity 0.4 Litri



PS315G1
 PS325G1
 PS345G1

HAWK PS-G1

PS-G1 Series

SPARE PARTS KIT

KIT RICAMBI

Posizioni Item	Part Number & Description	Codice e Descrizione	Q.tà per ogni Pompa Q.ty for each Pump	PS315G1	PS325G1	PS345G1
3- 5- 6	2614.08 Plunger Seals 15 mm	2614.08 Guarnizioni pistone Ø 15	1			
2- 3- 4- 5- 6- 7	2614.09 Complete seal Packing 15 mm	2614.09 Pacco completo Guarnizioni pistone Ø 15	3			
46- 47- 48- 49 50- 51	2614.04 Plunger 15 mm	2614.04 Pistone Ø 15	3			
11- 12- 13	2600.28 Complete Valve	2600.28 Valvola completa	1			
2	2608.26 Plunger oil Seals	2608.26 Anelli tenuta olio Asta	1			
2- 3- 4- 5- 6- 7 8- 9- 10- 11- 12 13- 14- 15- 16 17- 18- 19- 20	2612.35 Complete Manifold	2612.35 Testata Completa	1			
50- 51- 52- 53 54- 55- 56	3100.20 Conn. Rod-Plung. Rod Assy	3100.20 Premontato Biella-Asta	3			

PARTS LIST

LISTA PARTI

Pos. Item	Codice Part Number	Description	Descrizione	Q.tà per ogni Pompa Q.ty for each Pump	PS315G1	PS325G1	PS345G1
1	0202.92	Crankcase	Carter	1			
*2	0001.05	Plunger oil seal	Anello radiale	3			
*3	0601.81	"O" Ring Ø1.78x28,30	"O" Ring Ø 1.78x28,30	3			
*4	1201.31	Pressure ring 15mm	Pressore Ø 15	3			
*5	0002.07	"V" seal, dia. 15mm	Anello tenuta "V" Ø 15	6			
*6	0300.48	Support ring 15mm	Diffusore Ø 15	6			
*7	0300.49	Intermed. ring 15mm	Diffusore Interm. Ø 15	3			
*8	1601.20	Brass plug G1/2	Tappo G1/2	1			
*9	0603.07	Copper washer 1/2	Guarnizione rame G1/2	1			
*10	1602.28	Manifold housing	Testata	1			
*11	0601.55	"O" Ring Ø1.78x15.54	"O" Ring Ø 1.78x15.54	6			
*12	3604.73	Valve assembly	Valvola premontata	6			
*13	0601.22	"O" Ring Ø2.62x18.77	"O" Ring Ø 2.62x18.77	6			
*14	1601.47	Valve plug	Tappo valvola	6			
*15	0603.08	Copper washer 1/4	Guarnizione rame G1/4	1			
*16	1601.21	Brass plug G1/4	Tappo G1/4	1			
*17	1801.18	Manifold stud bolt	Vite M8x60	8			
*18	1400.01	Washer	Rosetta Ø8.5	8			
*19	0603.06	Copper washer 3/8	Guarnizione rame G3/8	1			
*20	1601.17	Brass plug G3/8	Tappo G3/8	2			
21	1503.28	Valve seat	Sede valvola	6			
22	1202.00	Valve plate	Piattello valvola	6			
23	0900.30	Valve spring	Molla valvola	6			
24	0604.10	Valve cage	Gabbia valvola	6			

PS-G1 Series

PARTS LIST

LISTA PARTI

Pos. Item	Codice Part Number	Description	Descrizione	Q.tà per ogni Pompa Q.ty for each Pump	PS315G1	PS325G1	PS345G1
25	1801.12	Screw	Vite M6x16	8			
26	0203.18	Bearing cover	Coperchio cuscinetto	1			
27	0205.02	Bearing seal	Cappello cuscinetto	1	■	■	■
28	1500.03	Snap ring	Anello Ø25	1			
29	0213.00	Ball bearing	Cuscinetto a sfere	1			
30	0004.95	Crankshaft	Albero eccentrico	1		■	
	0004.96	Crankshaft	Albero eccentrico	1	■		
	0004.97	Crankshaft	Albero eccentrico	1			■
31	1803.02	Crankshaft screw	Grano M6x6	1			
32	1600.12	Oil dip stick	Tappo livello olio	1			
33	0601.83	"O" Ring Ø3.53x55.56	"O" Ring Ø3.53x55.56	1			
34	0200.10	Needle Bearing	Cuscinetto NK 42/30	1			
35	0600.14	Engine Flange Gasket	Guarnizione Flangia Motore	1			
36	0500.55	Engine Flange	Flangia motore	1			
37	1400.02	Washer	Rosetta Ø6,5	4			
38	1801.32	Flange screw	Vite M6x30	4			
39	1802.20	Hexagonal screw	Vite 5/16"x1	4			
40	1401.03	Lock-Washer	Rosetta elastica Ø8.4	4			
41	1400.51	Washer	Rosetta piana Ø8.4	4			
42	1802.21	Screw	Vite 3/8"	4			
43	1400.53	Lock-Washer	Rosetta elastica Ø10	4			
44	1400.52	Washer	Rosetta piana Ø10	4			
45	0001.09	Crankshaft seal	Anello radiale	1			
*46	0302.11	Plunger nut	Dado pistone	3	■	■	■
*47	1400.06	Copper spacer	Rosetta Ø 9,2/13,5x0,5	3			
*48	1200.23	Plunger 15mm	Pistone Ø15	3			
*49	1400.27	Copper spacer	Rosetta rame	3			
*50	0601.30	"O" Ring Ø1.78x5.28	"O" Ring Ø1.78x5.28	3			
*51	0009.13	Teflon ring	Anello antiestrusione	3			
*52	0003.20	Plunger rod	Asta pistone	3			
*53	1502.04	Connecting rod pin	Spinotto	3			
*54	0100.08	Connecting rod	Biella completa	3			
*55	1401.02	Spring washer	Rosetta elastica Ø6	10			
*56	1801.32	Connecting rod screw	Vite M6x30	6			
57	0700.05	Sight glass	Spia livello olio G3/4	1			
58	0603.02	Gasket	Guarnizione G3/8	1			
59	0203.52	Crankcase cover	Coperchio	1			
60	0601.04	"O" Ring Ø2.62x107.62	"O" Ring Ø2.62x107.62	1			

		Part available in kit only
--	--	-------------------------------

**Particolare disponibile
solo in kit**

*		Part available in kit also
---	--	-------------------------------

**Particolare disponibile
anche in kit**